

Name \_\_\_\_\_

Date \_\_\_\_\_

Class Period \_\_\_\_\_

2. \_\_\_\_\_

16. \_\_\_\_\_

1. \_\_\_\_\_

15. \_\_\_\_\_

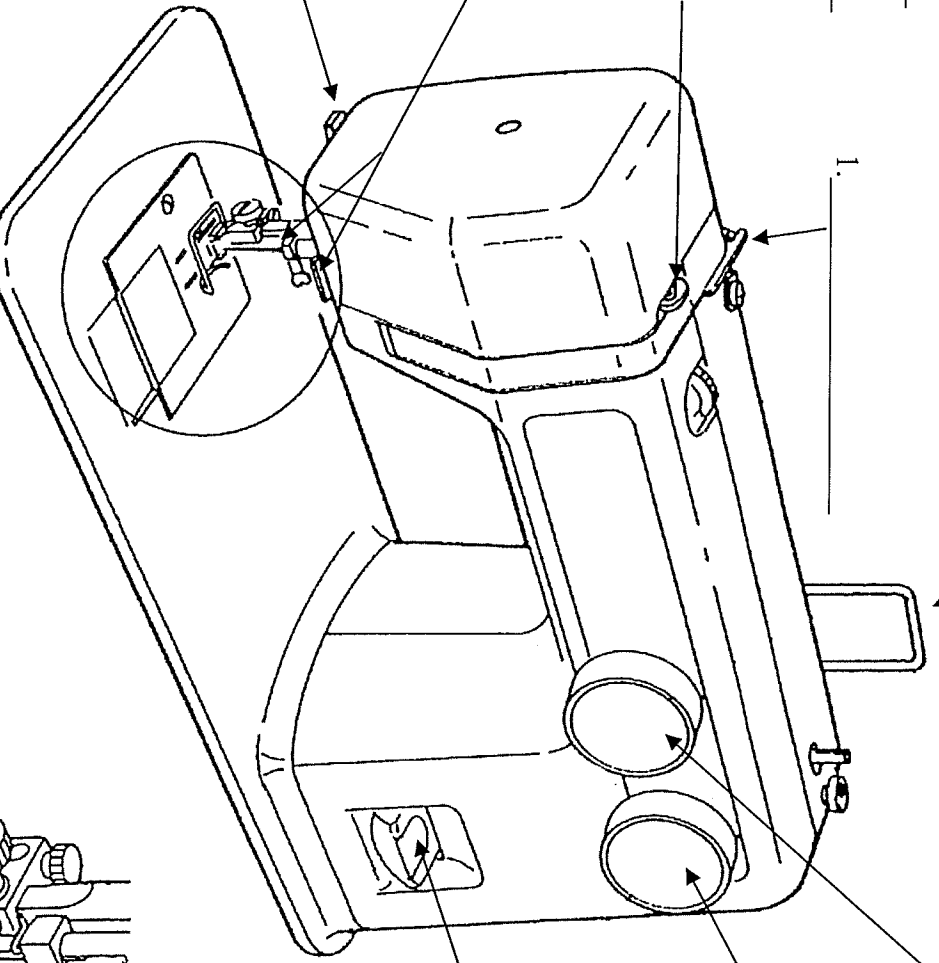
3. \_\_\_\_\_

14. \_\_\_\_\_

4. \_\_\_\_\_

5. \_\_\_\_\_

13. \_\_\_\_\_



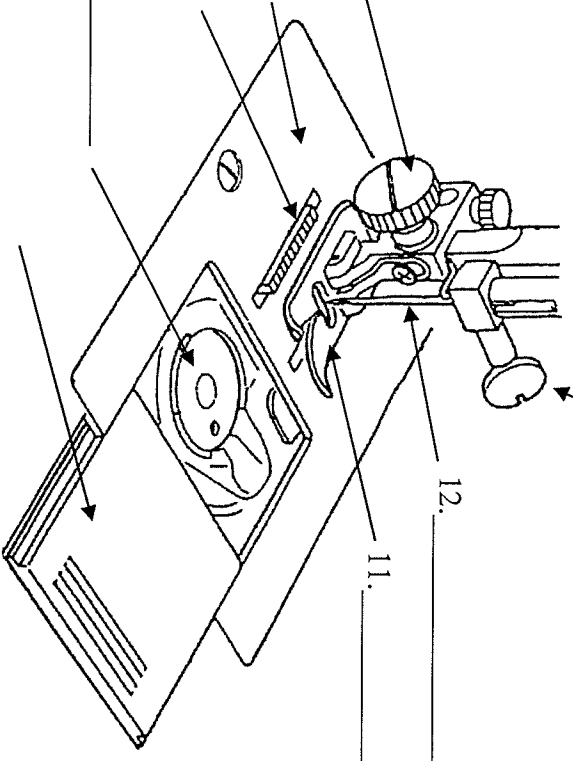
6. \_\_\_\_\_

7. \_\_\_\_\_

8. \_\_\_\_\_

9. \_\_\_\_\_

10. \_\_\_\_\_



12. \_\_\_\_\_

11. \_\_\_\_\_

